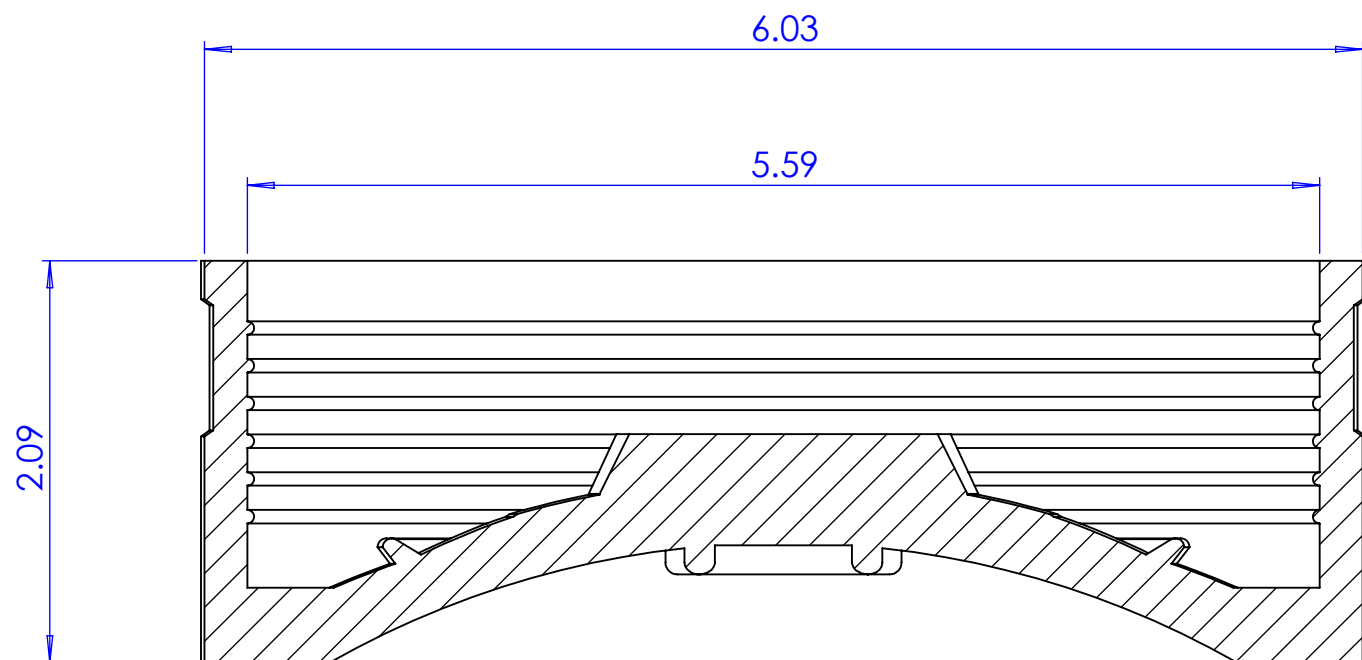
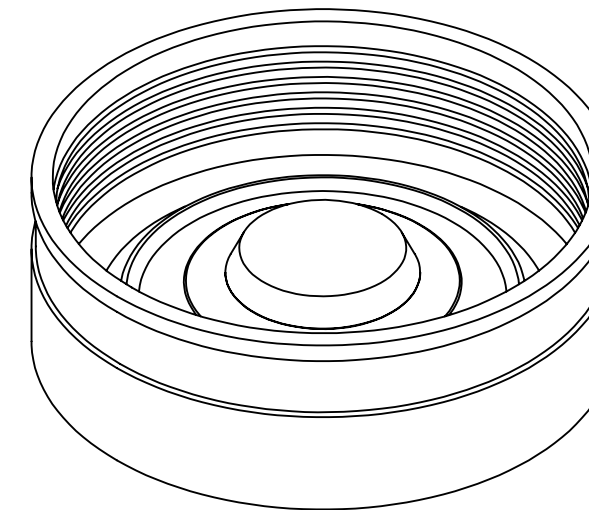




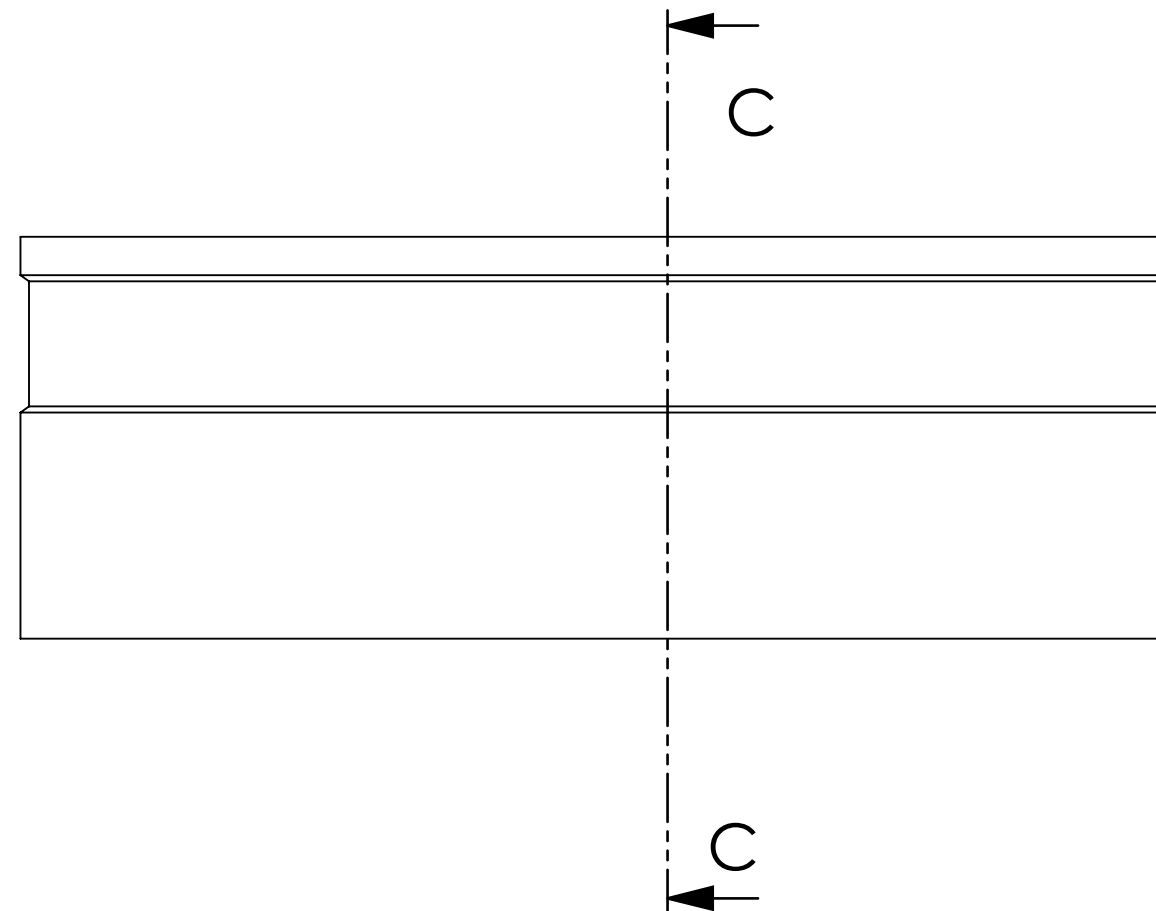
300 S. DAYTON ST.
 DAVISON, MI 48423
 PH: 810-653-9626
 FAX: 810-654-2616

QC-105

DESCRIPTION: Cap 5" PVC



SECTION C-C
 SCALE 1 : 1



PROPRIETARY AND CONFIDENTIAL
 THE INFORMATION CONTAINED IN THIS
 DRAWING IS THE SOLE PROPERTY OF
 FERNCO, INC. ANY REPRODUCTION IN
 PART OR AS A WHOLE WITHOUT THE
 WRITTEN PERMISSION OF FERNCO, INC.
 IS PROHIBITED.

TOLERANCES:
 .X= Fractional ±
 .XX= ±.06
 ANG.= +3°
 UNLESS OTHERWISE SPECIFIED

Part Weight	1.00 lbs.	Installation Torque	60" Lbs.
Min/Max Temp.	-30/140 Degrees F	Conforms to ASTM	D5926, C1173
Pressure Tested	4.3 PSI	Clamps used	300 Series Stainless
Material	Flexible PVC 60 Duro Shore A	Box Quantity	

UNITS:	INCHES
SIZE:	A
3RD ANGLE PROJECTION	
DO NOT SCALE DRAWING	

DESIGNER:	D. Brady
CHECKER:	
DATE:	9/13/2012

SCALE:	not to scale
SHEET	1 OF 1